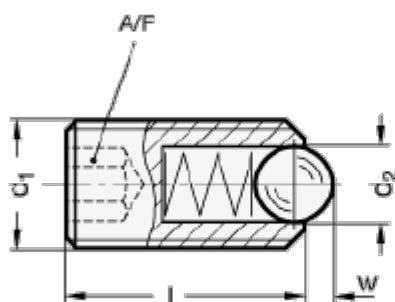


Article number: 206153M8KPFB

Description: E+G spring plungers 615.3-M8-K-PFB

Measures



Thread locking **PFB**
Polyamide patch
for type **K**



Thread locking **PFB**
Polyamide patch
for type **KS**



Thread locking **MVK**
Micro encapsulation precote
(for all types)

A/F	= 4
d1	= M8
d2	= 4.5
l	= 18
Max. spring load in N	= 31
Preload spring pressure in N	= 18
w	= 1.5